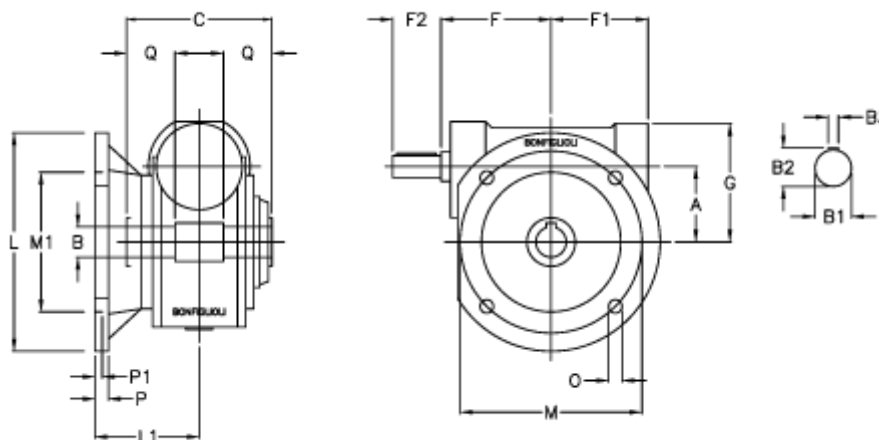


Article number: 3901150020500

Description: Worm gear with solid input shaft
VF 150FC-20-HS

Measures



| | | | |
|-------------|------------------|------------|----------|
| a | = 150.0 | F1 = 179 | P = 22 |
| B | = 50 | F2 = 65 | P1 = 13 |
| B1 | = 35 | g = 218 | Q = 55.0 |
| B2 | = 38 | L = 350 | |
| B3 | = 10 | L1 = 145.5 | |
| C | = 175 | m = 290 | |
| Description | = VF 150FC-xx-HS | M1 = 200 | |
| F | = 185.0 | O = 18 | |